

▶ Aluminium Electrolytic Capacitors with Screw terminal



▶ Modular Electrolytic Capacitors



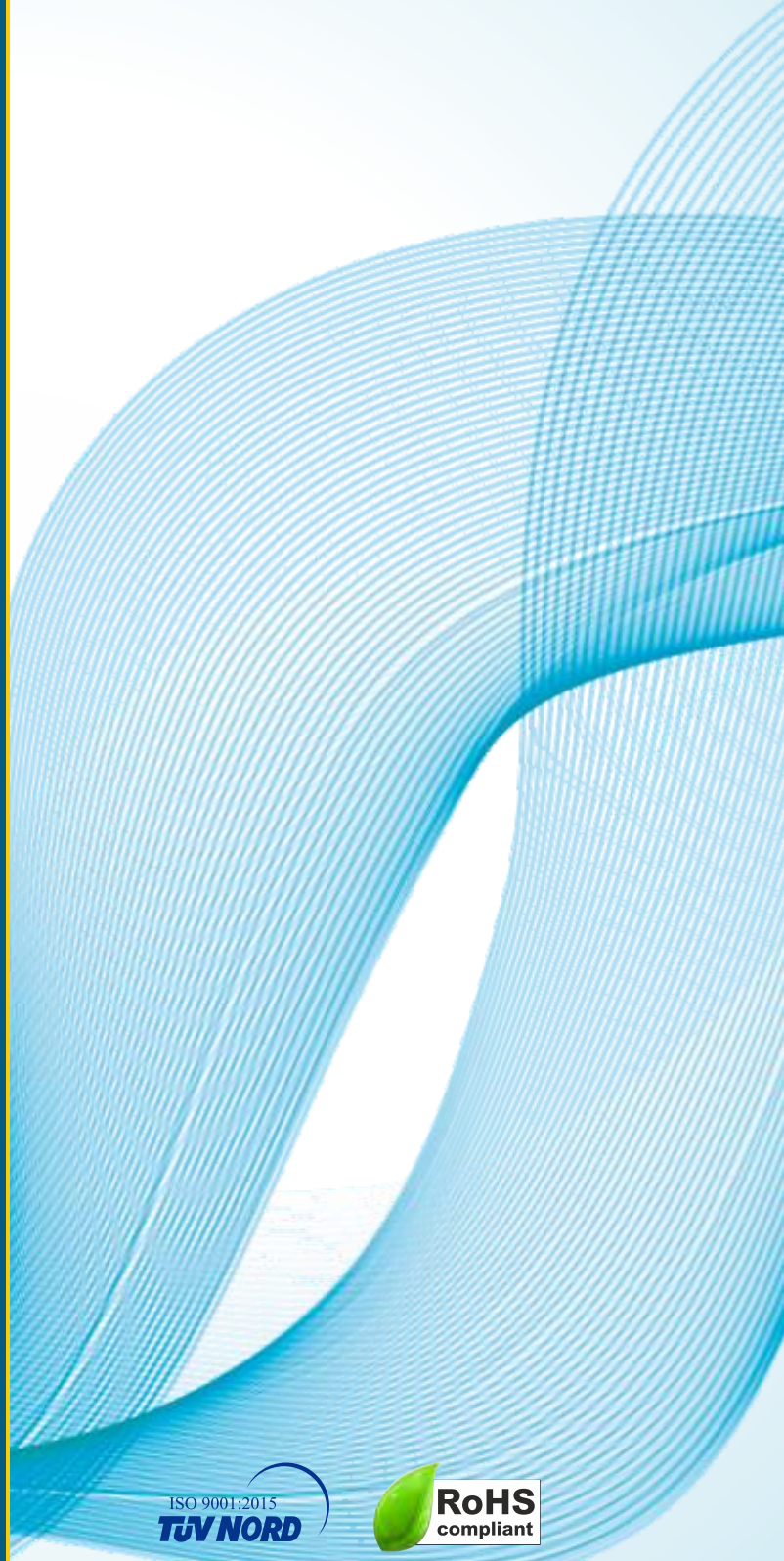
▶ Aluminium Electrolytic Capacitors Snap in



▶ Metallized Polypropylene D.C. link Capacitors



▶ IGBT Snubber Capacitors



## COMPANY PROFILE

### Kendeil Indfarad Electronics (P) Ltd

Founded : 2011 as a joint venture between Kendeil S.r.l Irlanda, Gallarate, Italy and Meher group based manufacturing facility at Bengaluru in India.

**Kendeil S.r.l** founded in 1979 at Italy, engaged in manufacture of Aluminium electrolytic and DC film (DC Link) Capacitors.

**Meher Group** founded in 1977 is a well-known name in the field of film (PFC) capacitors in India. Today its group companies, besides Kendeil Indfarad Electronics (P) Ltd include, Meher advanced Materials (P) Ltd, Meher Mangoldt Inductors (P) Ltd, IPEC India (P) Ltd and Xenvis solutions.

### Key Equipments

- ▶ ARCOTRONICS Winding machines
- ▶ Matching NISHIMURA slitting machines
- ▶ ROOP ULTRASONIX make Ultrasonic Metal welding Machines
- ▶ Sealing machines with full accessories including ORBITAL riveting
- ▶ State-of-the-art impregnation equipment with PLC control
- ▶ Automated Ageing ovens
- ▶ Computer aided routine testing set-up with full recording capability.
- ▶ Automated sleeve cutting and printing machine.
- ▶ Individual test benches for validating.
- ▶ Kendeil Italy trained work force

### Positioning

Mature & Contemporary product technology developed over 35 years and covering a wide range of applications.

Globally acceptable product over three decades Products are widely accepted by all segment of users across all major markets worldwide.

End to end integration and control of the key success factors of the product i.e. foils, electrolyte, Foil availability and R&D to offer up to date products.

Lowest production cost w.r.t recognized competition.

Manufactured and delivered from within in a state-of-the-art plant approved by major worldwide customers.

### KENDEIL GROUP COMPANIES



Italian plant dedicate to produce aluminium e-caps and DC (film) capacitors.



#### Kendeil S.r.l

- **Location:** Gallarate (Italy)
- **Products:** Aluminium e-caps (screw terminal and snap - in and film caps DC link)
- **Capacity:** 4,500,000 pieces / year
- **Total site area:** 10,000 sqm



Indian plant dedicate to produce aluminium e-caps.



#### Kendeil Indfarad Electronics Pvt. Ltd.

- **Location:** Bengaluru (India)
- **Products:** Aluminium e-caps (screw terminal)
- **Capacity:** 600,000 pieces/year
- **Total site area:** 1,500 sqm

## ALUMINIUM ELECTROLYTIC AND DC LINK (FILM) CAPACITORS

### INDUSTRIAL

### RENEWABLE ENERGY

### RAILWAYS



AC/DC Drives

Medical applications



Welding

UPS/Inverters



Inverter for wind energy



Inverter for solar energy



Rail transportation

## CAPACITORS PRODUCT RANGE

### Electrolytic

### DC link (film)

### IGBT Snubber



Screw terminal types



Snap in types



Modular Electrolytic Capacitors

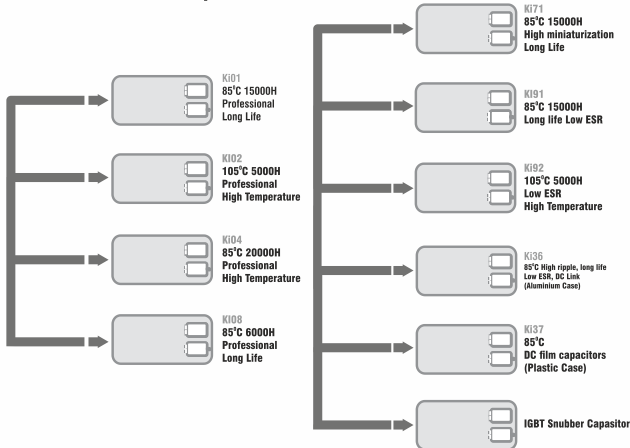


Film DC Link



Snubber

### Product Road Map



Kendeil series Snap-in capacitors also available.

### Certification

ISO 9001 : 2015



RoHS



## PRODUCING HIGH QUALITY AND INNOVATIVE POWER COMPONENTS BRING KENDEIL TO BE THE FIRST CHOICE FOR THE CUSTOMERS



Kendeil to achieve the mean of the strategy has developed two internal programmes:

- Quality material programme
- R&D programme

### MATERIAL QUALITY PROGRAMME

The material monitoring is a priority for the company to assure high quality products

Kendeil Indfarad keeps continuously under control the quality of raw materials involved in the production process through its state-of-the-art in house laboratories (India and Italy)

- ▶ Material analysis
- ▶ Mechanical test
- ▶ Pressure monitoring
- ▶ Material Electrical test



### R&D PROGRAMME

R&D plan is managed internally through Kendeil Indfarad's laboratories (India and Italy) with the targets to improve and develop new products close to the customer needs :

- ▶ Special load life/shelf life
- ▶ Charge and discharge test
- ▶ Electrolyte tests
- ▶ Pilot etching and forming lines to develop new aluminium foils



Capacitors you can trust

## VALUED CUSTOMERS - OVERSEAS



## VALUED CUSTOMERS - INDIA



▶ Aluminium Electrolytic Capacitors with Screw terminal



▶ Modular Electrolytic Capacitors



▶ Aluminium Electrolytic Capacitors Snap in



▶ Metallized Polypropylene D.C. link Capacitors



▶ IGBT Snubber Capacitors

